

# PRODUCT INFORMATION PACKET

Model No: 056T17W5333

Catalog No: N620

General Purpose Motor, 0.25 HP, 3 Ph, 60 Hz, 575 V, 1800 RPM, 56C Frame, TENV



Regal and Marathon are trademarks of Regal Rexnord Corporation or one of its affiliated companies.

©2024 Regal Rexnord Corporation, All Rights Reserved. MC017097E

### Nameplate Specifications

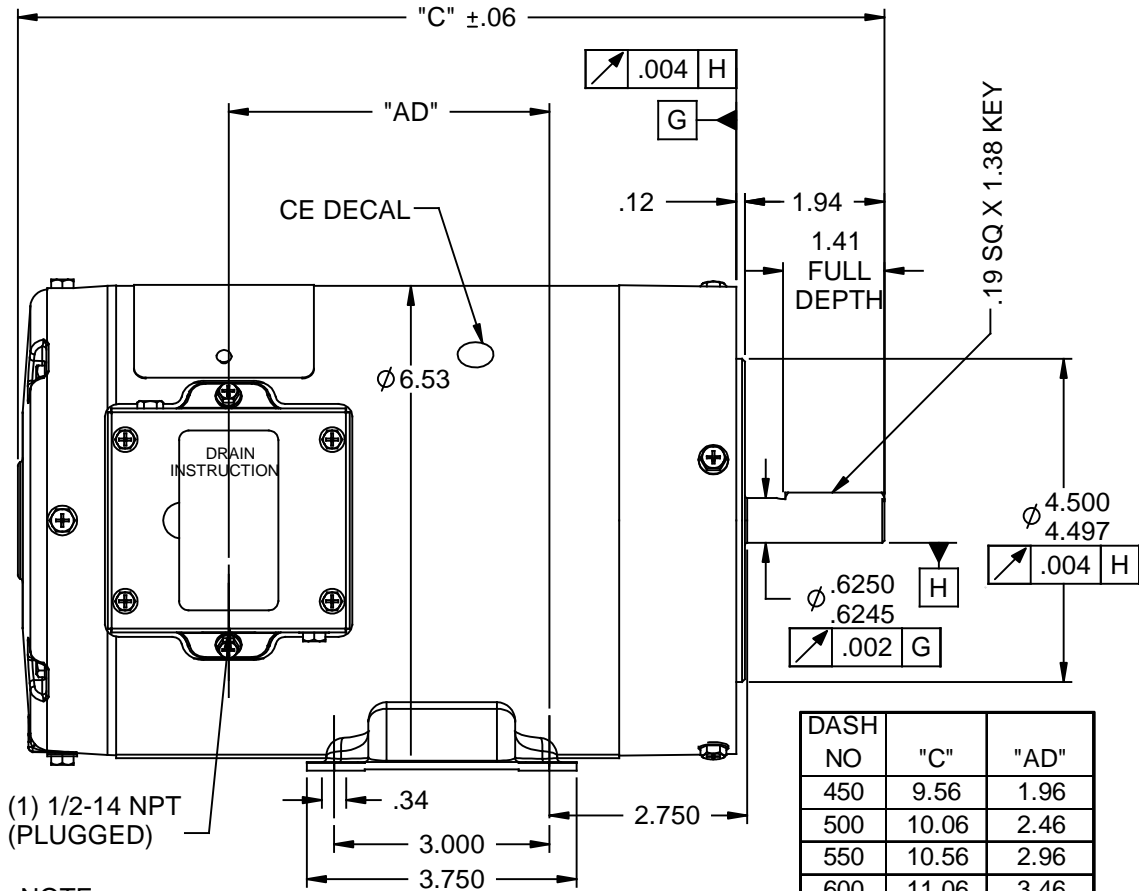
Phase	<b>3</b>	Output HP	<b>0.25 Hp</b>
Output KW	<b>0.19 kW</b>	Voltage	<b>575 V</b>
Speed	<b>1725 rpm</b>	Service Factor	<b>1.15</b>
Frame	<b>56C</b>	Enclosure	<b>Totally Enclosed Non Ventilated</b>
Thermal Protection	<b>No Protection</b>	Efficiency	<b>68 %</b>
Ambient Temperature	<b>40 °C</b>	Frequency	<b>60 Hz</b>
Current	<b>0.44 A</b>	Power Factor	<b>57</b>
Duty	<b>Continuous</b>	Insulation Class	<b>F</b>
Design Code	<b>B</b>	KVA Code	<b>L</b>
Drive End Bearing Size	<b>6205</b>	Opp Drive End Bearing Size	<b>6203</b>
UL	<b>Recognized</b>	CSA	<b>Y</b>
CE	<b>Y</b>	IP Code	<b>55</b>
Number of Speeds	<b>1</b>		

### Technical Specifications

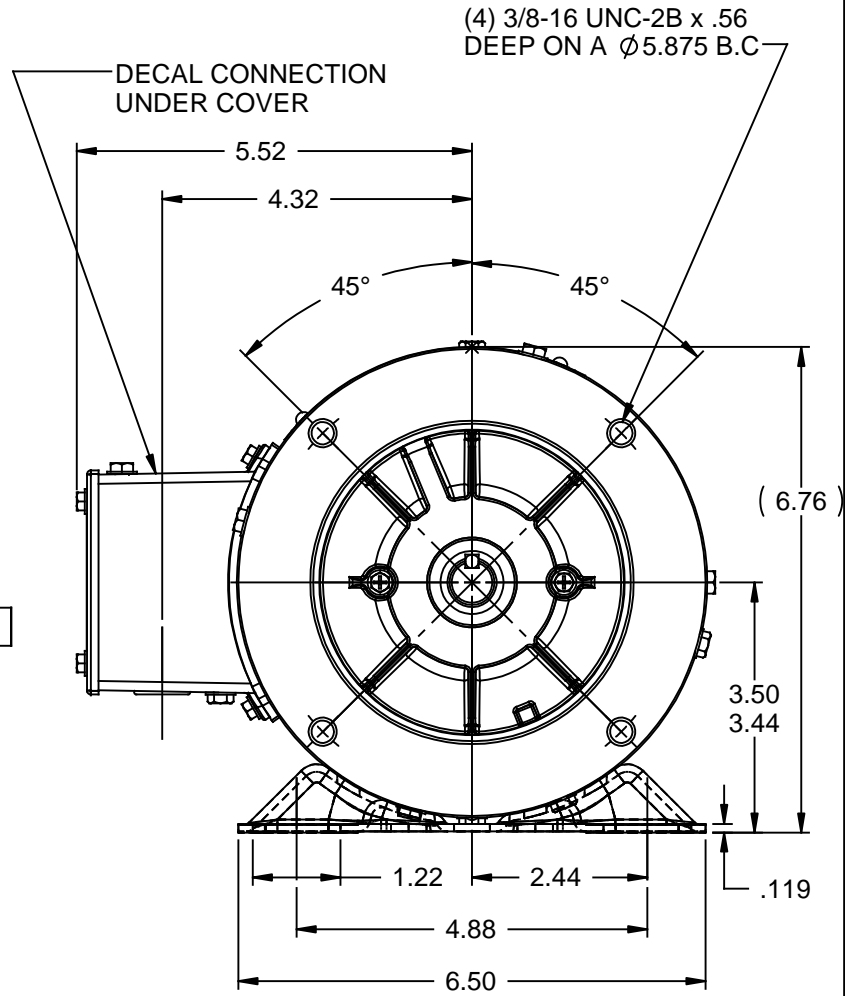
Electrical Type	<b>Squirrel Cage Inverter Rated</b>	Starting Method	<b>Line Or Inverter</b>
Poles	<b>4</b>	Rotation	<b>Reversible</b>
Resistance Main	<b>0 Ohms</b>	Mounting	<b>Rigid Base</b>
Motor Orientation	<b>Horizontal</b>	Drive End Bearing	<b>Ball</b>
Opp Drive End Bearing	<b>Ball</b>	Frame Material	<b>Rolled Steel</b>
Shaft Type	<b>T</b>	Shaft Diameter	<b>0.625 in</b>
Assembly/Box Mounting	<b>F1 ONLY</b>	Inverter Load	<b>CONSTANT 1000:1</b>
Connection Drawing	<b>005102.01ME</b>	Outline Drawing	<b>607-0022-500</b>

This is an uncontrolled document once printed or downloaded and is subject to change without notice. Date Created:02/19/2024

This document is the property of REGAL BELOIT CORPORATION ("RBC") including its subsidiaries and divisions and contains proprietary information of RBC. This document is loaned on the express condition that neither it nor the information contained therein shall be disclosed to others without the express written consent of RBC, and that the information shall be used by the recipient only as approved expressly by RBC. This document shall be returned to RBC upon its request. This document may be subject to certain restrictions under U.S. export control laws and regulations.



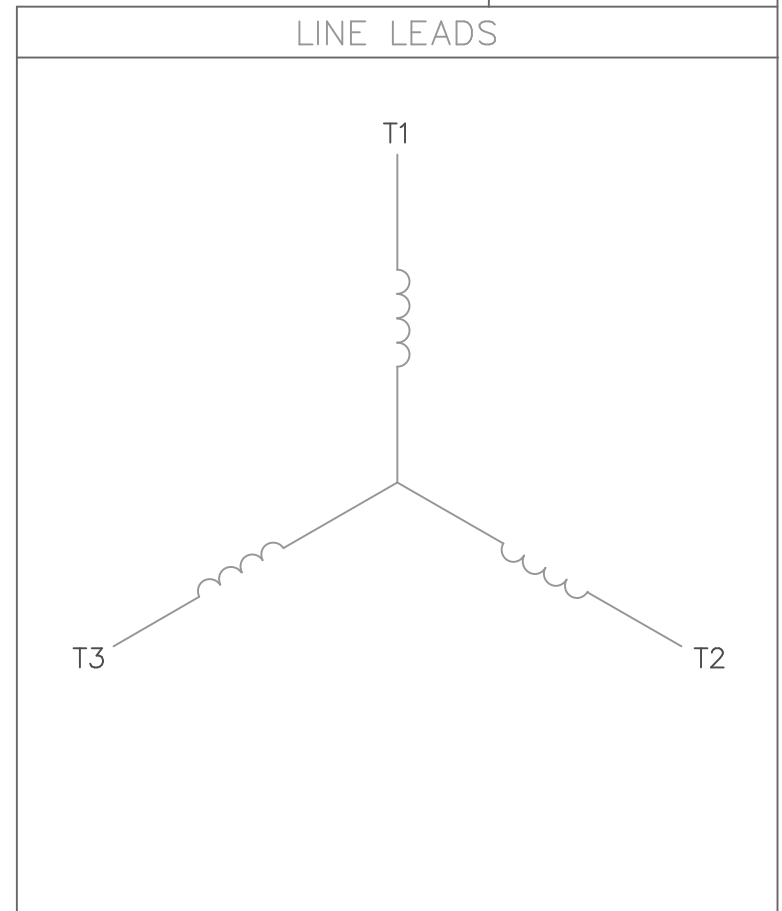
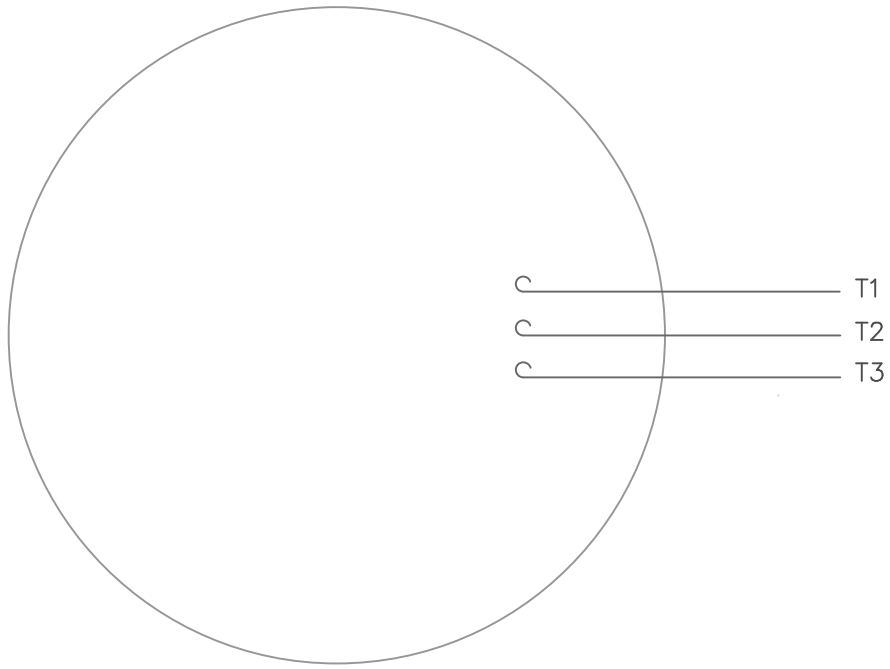
DASH NO	"C"	"AD"
450	9.56	1.96
500	10.06	2.46
550	10.56	2.96
600	11.06	3.46
650	11.56	3.96
700	12.06	4.46
750	12.56	4.96
800	13.06	5.46



- NOTE:
- 1) SHAFT SEALS & V-RINGS
  - 2) DRAIN HOLES IN BOTH ENDBELLS & CONDUIT BOX
  - 3) GASKETS THROUGHOUT
  - 4) STAINLESS STEEL SHAFT, HARDWARE & NAMEPLATE

		TOLERANCES UNLESS SPECIFIED				DRAWN JD 07/01/2011	
		DEC	INCHES			CHK	
		.X	±.1			APPR	
		.XX	±.03			SCALE 3:8	
		.XXX	±.005			REF 028834ME	
		.XXXX	±.0005	MAT'L WASHGUARD		FMF 56T17V15501	
NO	REVISION	BY & DATE	CHK	ANG ±1/2°	FINISH	PAGE OF	
THIRD ANGLE PROJECTION		RFP		PREV	SIZE A	DRAWING NO 607-0022	
				NETWORK FILE NAME 607-0022		REV	

VIEW FROM OUTSIDE OF MOTOR AT SWITCH END.



CONNECT LEADS AS FOLLOWS  
FOR FOUR CONDUCTOR CORD ( )

CORD	L1 (RED)	L2 (WHITE)	L3 (BLACK)	(GREEN)
MOTOR	T1	T2	T3	GROUND

		TOLERANCES UNLESS SPECIFIED			DRAWN RDW 5/1/02		
		DEC.	INCHES		CHK		
		.X	±.1		APPD		
		.XX	±.01		SCALE 1=1		
		.XXX	±.005		REF		
		.XXXX	±.0005	MAT'L. DECAL - 004169	FMF		
NO.	REVISION	BY & DATE	CHK	ANG ±1/2'	FINISH	PREV	
THIS DRAWING IN DESIGN AND DETAIL IS OUR PROPERTY AND MUST NOT BE USED EXCEPT IN CONNECTION WITH OUR WORK ALL RIGHTS OF DESIGN AND INVENTION ARE RESERVED THIS IS AN ELECTRONICALLY GENERATED DOCUMENT - DO NOT SCALE THIS PRINT			RFP 5/1/02	CAD FILE 00510201ME	SIZE A	DRAWING NO. 005102-01ME	REV.
			DIST				

## EC Declaration of Conformity

The undersigned representing  
the manufacturer:

Regal Beloit America  
100 East Randolph St.  
Wausau, WI 54401

and the authorized representative  
established within the Community:

Marathon Electric UK  
6F Thistleton Road Ind. Estate  
Market Overton  
Oakham, Rutland LE15 7PP UK

are committed to providing customers with products that comply with applicable regulations and international protocols to which they are subject, including the requirements of the European Parliament Directive on the Harmonization of the laws relating to electrical equipment designed for use within certain voltage limits (2014/35/EU).

Regal Beloit America declares that the following product(s), to which this declaration relates, are in conformity with the relevant sections of the EC standards listed below.

This statement supersedes any statements previously issued pertaining to the product(s) listed below and is subject to change without notice.

Model No : 056T17W5333

(Model No. may contain prefix and/or suffix characters)

Catalog No : N620

Rework No : N/A

Directives :

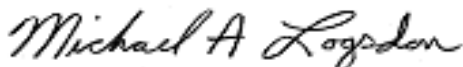
Low Voltage Directive 2014/35/EU

Harmonized Standards Used :

EN 60034-1: 2010 (IEC 60034-1: 2010)

EN 60034-5: 2001/A1:2007 (IEC 60034-5: 2000/A1:2006)

Authorized Representative:



Michael A. Logsdon  
Vice President, Technology

Authorized Representative in the Community:



Julian Clark  
Marketing Engineer

Created on 09/06/2022

**CE 22**